

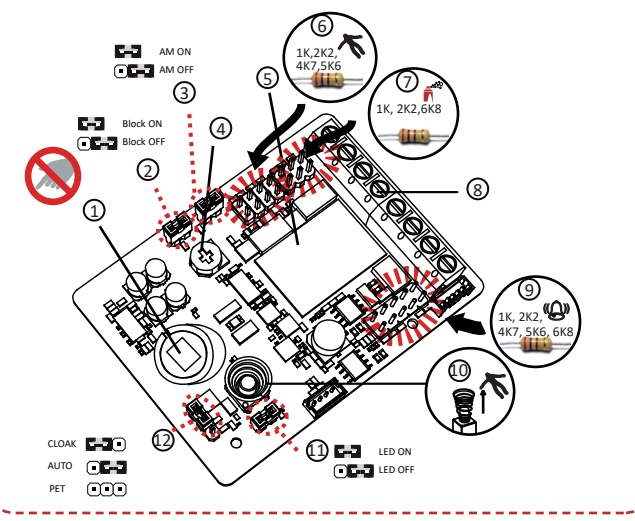
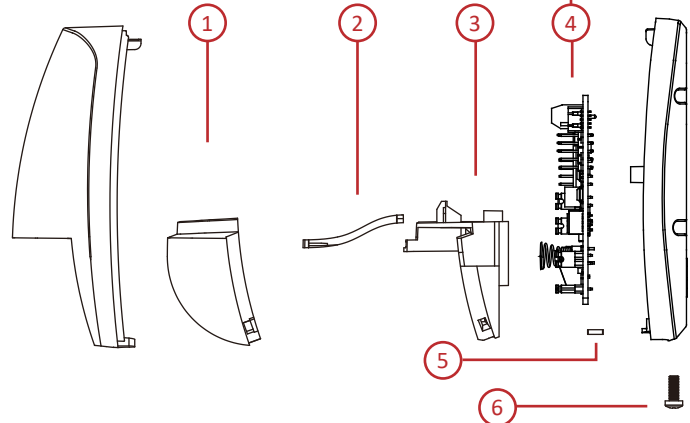
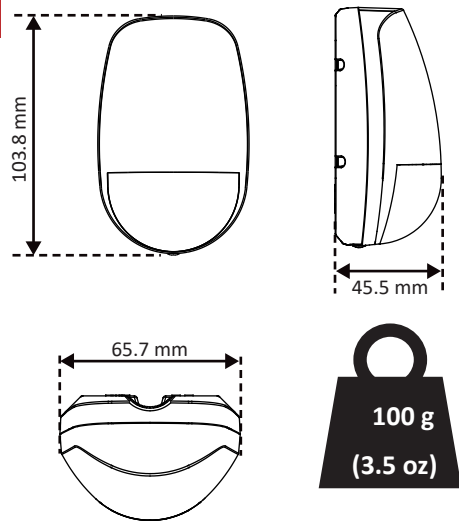
DS-PDD15AM-EG2
15m Dual-Tech Detector
User Manual

EN 50131-1:2006+A1+A2+A3
EN 50131-2-4:2020
Security Grade (SG) 2
Environment Class (EC) II
Tested by TÜV Rheinland

ENGLISH

1 Appearance

- 1. Lens
 - 2. LED Light Pipe
 - 3. Lens Holder
 - 4. PCB
 - 5. Nut
 - 6. Casing Screw
- ④ The Printed Circuit Board (PCB)
- 1. PIR Sensor
 - 2. Block
 - Block ON
 - Block OFF
 - 3. Anti-Masking
 - Anti-Masking ON
 - Anti-Masking OFF
 - 4. MW Range Control
 - 5. Microwave Module
 - 6. Tamper Resistor Jumpers
 - 7. Mask Resistor Jumpers
 - 8. Terminals
 - 9. Alarm Resistor Jumpers
 - 10. Tamper Spring
 - 11. LED
 - LED ON
 - LED OFF
 - 12. Sensitivity Settings
 - CLOAK
 - AUTO
 - PET



8 CLOAK



2 Installation

- Screw Model: PA 3.5 × 25 (4 screws)
 - a. Ceiling Bracket Fitting
 - b. Wall Bracket Fitting
- Note: Brackets are optional.

3 The 15 m Lens

- a. Detection Range: 85.9°, 52 zones, 4 planes
- b. Mounting Height: Mounting height range from 1.8 m to 2.4 m. The recommended mounting height is 2.2 m.
- c. Microwave Range Control: Max: 15 m Medium: 0 to 10 m Min: Off

4 Resistor Wiring

- The detector has two method for resistor wiring:
- (1) Using jumpers to select the End of Line resistance (Control panel dependent) on the ALARM/TAMPER/MASK pins.
 - (2) Select an resistance (Control panel dependent), and add the resistor to ALARM/TAMPER/MASK wiring ports of the detector.
- a. Alarm Resistance: 1K, 2K2, 4K7, 5K6, 6K8
 - b. Tamper Resistance: 1K, 2K2, 4K7, 5K6
 - c. Mask Resistance: 1K, 2K2, 6K8

5 Connection Type

- a. Normally Closed
- b. Single End of Line Wiring
- c. Double End of Line Wiring
- d. Triple End of Line Wiring

6 Powering on

After powering on, the indicator flashes rapidly. Once the detector self test is completed, the LED indicator will go out until the detector detects movement.

7 Anti-Masking Alarm

8 Anti-Cloaking Alarm

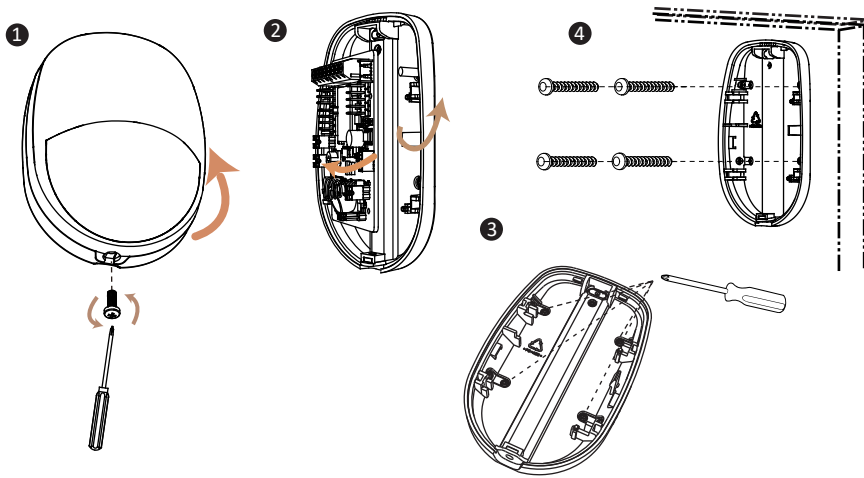
Specification

Detection Method	Passive Infrared, Microwave
Detection Range	15m
Detection Angle	85.9°
Detection Zones	52
Detectable Speed	0.3 2m/s
Sensitivity	Auto, Low
White Light Filter	6500lux
Microwave Frequency	24GHz (24.15~24.25GHz)
Digital Temperature Compensation	Support
Creep Zone Protection	Support
Digital Processing	Support
Sealed Optics	Support
Tamper Protection	Front
Anti-masking	Support
Anti-cloaking	Support
Anti-blocking	Support
Alarm Output	Normally Closed
LED Indicator	Green (PIR), Red (Microwave), Blue (Alarm)
Transmission Method	Wired
Power Supply	9 to 16 VDC
Typical Voltage	12 VDC
Power Consumption	25mA Max
Operation Temperature	-10 °C to 55 °C (14 °F to 131 °F)
Storage Temperature	-20 °C to 60 °C (-4 °F to 140 °F)
Operation Humidity	10% to 90%
Dimension(W x H x D)	65.7 mm (2.59") × 103.8 mm (4.09") × 45.5 mm (1.79")
Weight	100g
Mounting Height	1.8 m to 2.4 m
Mounting Method	Wall
Application Scenario	Indoor
Bracket	Optional wall & ceiling accessory

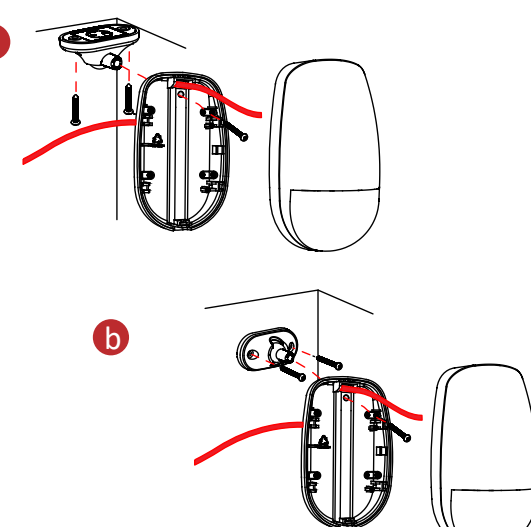
Please use the power supplies comply with the requirements of EN 50131-6 at the appropriate grade and environmental class.

UD24083B-C

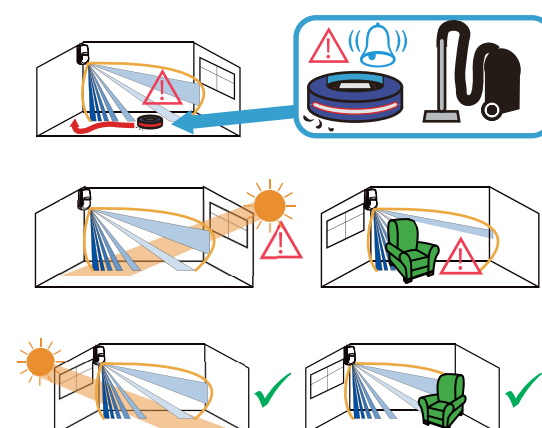
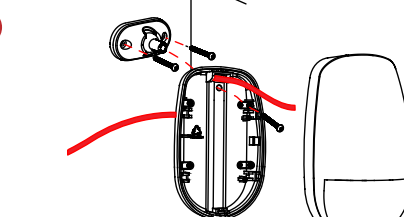
2



a

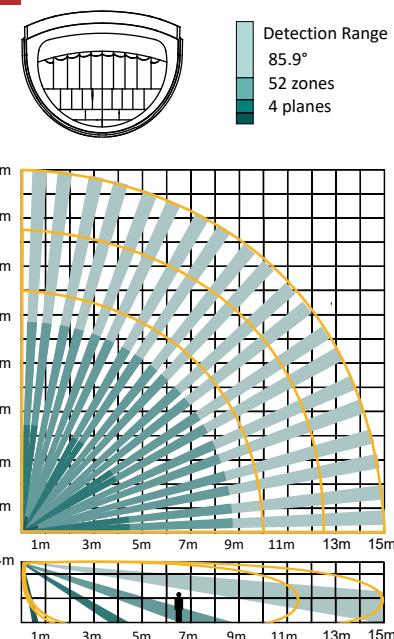


b



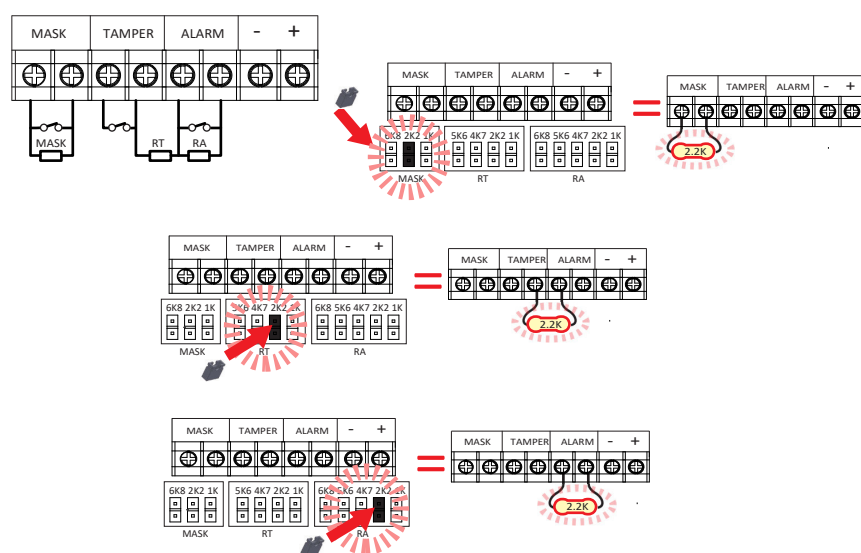
Please do not obscure the detector's field of view partially or completely.

3



- Microwave Range Control
- Max: 15 m
 - Medium: 0 to 10 m
 - Min: Off

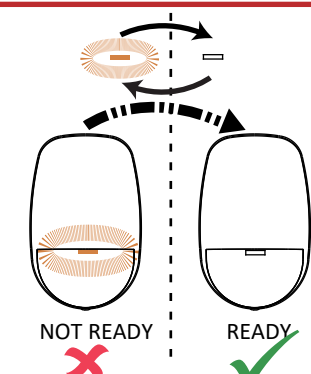
4



5



6



7

